



Woojin Commitment to Excellence

Woojin Plastic is an injection molded parts manufacturer located in South Korea. We specialize in high spec buckles and fastener hardware for the top global manufacturers of military, law enforcement and hunting gear. Our award winning side-release buckles and zipper pulls, etc. have inspired top designers worldwide to innovate the next generation of tactical products. Family owned and operated for half a century, we are proud of our products' design, reliability, and quality.

We value our customers' voices and strive to meet their needs with care and precision.

MATERIAL CHARACTERISTIC

ACETAL (POM)

Acetal is one of the most proper material to be used in buckles because of its stiffness and tensile strength and people prefer the macho feel especially in side release buckles. It also has good elasticity that can be used for the part which should be bend but still has high mechanical strength. However, the main advantage of Acetal is its low water absorption. and it consequently performs very well under freezing or arid conditions.

P.P (POLYPROPYLENE)

P.P is used where load bearing and impact are minimal, and also it has low water absorption and good chemical resistance. The main advantage of that the material offers a very soft feel for side release buckles, which is ideal for children, but not recommended to be used in high technical preformed products because of not enough mechanical strength.

NYLON (PA66)

Nylon has been used in buckles for a long time because of its' great impact resistance under normal operating conditions. It is light, great rigidity, flame retardant because of good stability to heat and has a softer feel for side release buckles. It has 20~30% increased strength over Acetal even at subzero temperatures. On the other hand, Nylon absorbs water 2.5% of it's own body weight and under freezing conditions can become embrittled.

TPU (POLYURETHANE)

TPU is used in products which needed to be soft, flexible but still durable even of low temperature. Polyurethanes are outstandingly able to withstand more loads than rubber because they are harder than rubber and yet more flexible than plastics. Their flexibility is accountable for their strength and remarkable ability to resist impact.

TACTICAL COLOR

01 OD/GREEN



WJ Color No.
1792-P14-STD
Pantone No.
19-0403TCX

02 C/BROWN-II (DI)



WJ Color No.
574-Z10
Pantone No.
18-1022TCX

03 BH/TAN



WJ Color No.
393-S10-STD
Pantone No.
17-1019TCX

04 TAN (DI)



WJ Color No.
2333-S7
Pantone No.
17-1113TCX

05 KHAKI



WJ Color No.
1424-R3-STD
Pantone No.
18-0615TCX

06 NEW KHAKI



WJ Color No.
4444-J14
Pantone No.
19-0414TCX

07 FO/GREEN



WJ Color No.
993-P6-STD
Pantone No.
18-5806TCX

08 TAN499



WJ Color No.
3023
Pantone No.
17-1118TCX

IRR COLOR

01 BLACK (IRR)

Note) Tested sample : Tested as received
Test instrument : UV-visible-NIR Spectrometer (Perkin-Elmer Lambda 950)

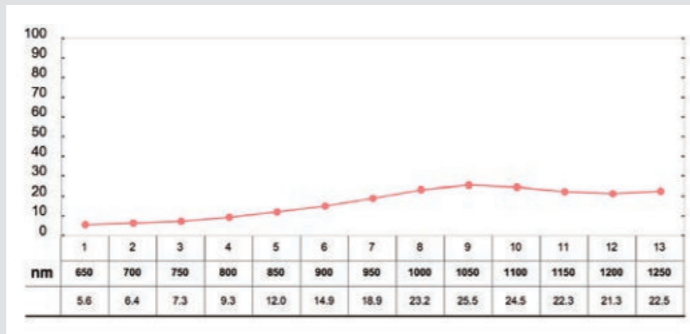


WJ Color No.

422

Pantone No.

19-0303TCX



02 TAN (DI) (IRR)

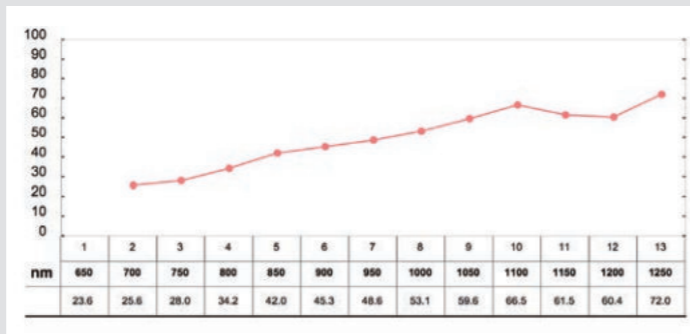


WJ Color No.

4597

Pantone No.

17-1105TCX



03 OD/GREEN (IRR)

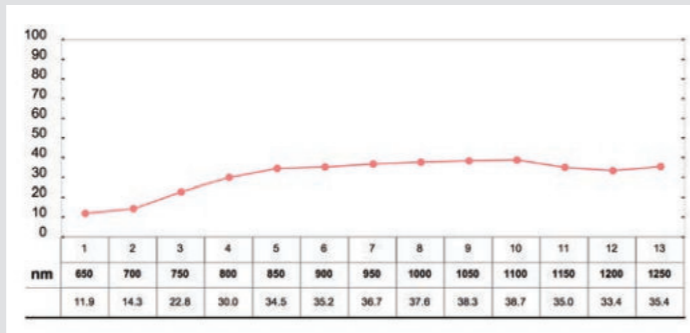


WJ Color No.

3812

Pantone No.

19-0403TCX



04 C/BROWN (IRR)

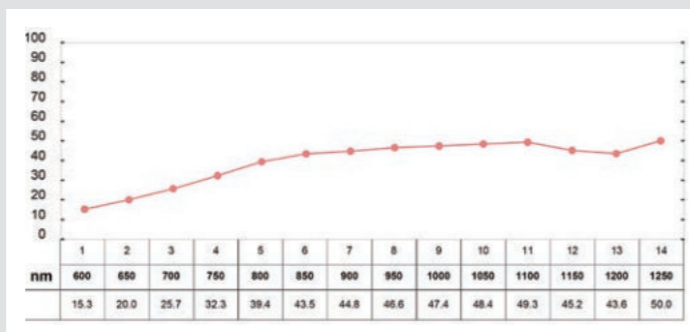


WJ Color No.

569

Pantone No.

18-1018TCX



IRR COLOR

05 FO/GREEN (IRR)

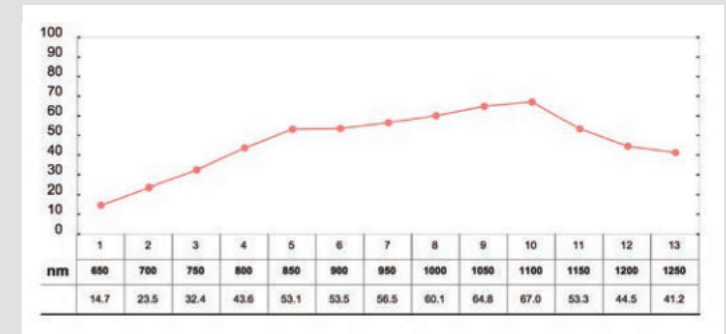


WJ Color No.

997-P8-STD

Pantone No.

18-0510TCX



06 CAMOUFLAGE GREEN 483 (IRR)

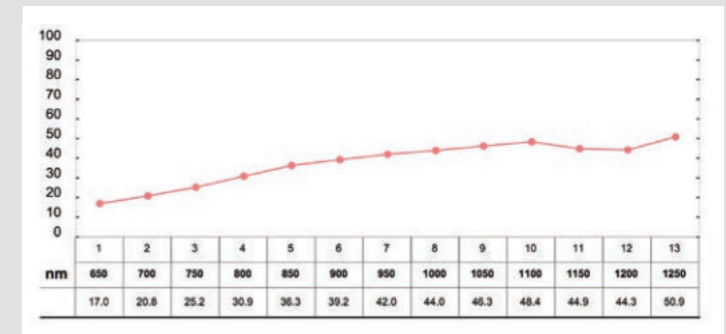


WJ Color No.

5860

Pantone No.

17-6212TCX



07 STONE GREY (IRR)

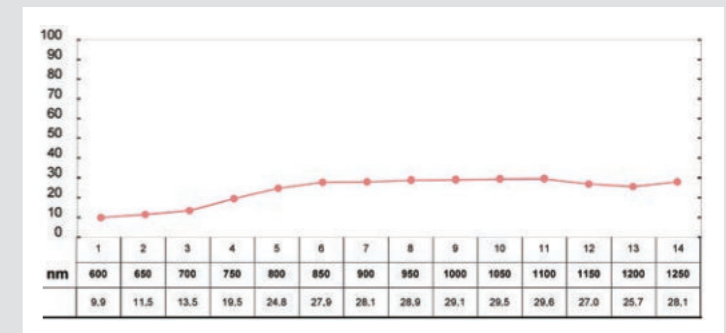


WJ Color No.

6517

Pantone No.

19-0511TCX



08 COYOTE (IRR)

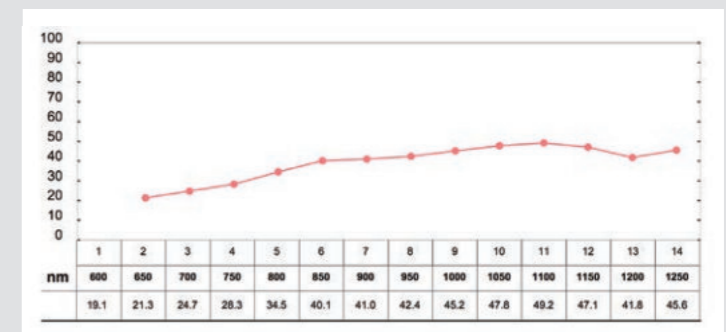


WJ Color No.

6049

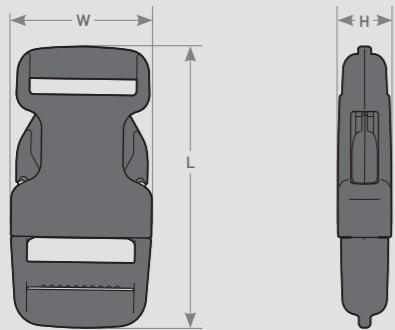
Pantone No.

18-0615TCX



STRENGTH DATA

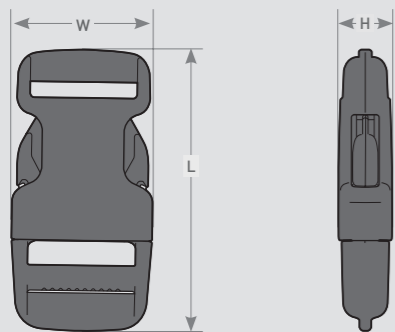
01 HEAVY DUTY NT SR



(100.00mm/min, T Peck, kg, Average)

Size(mm)	Length	Width	Height	Strength
25	67.1	33.4	12.8	155.85

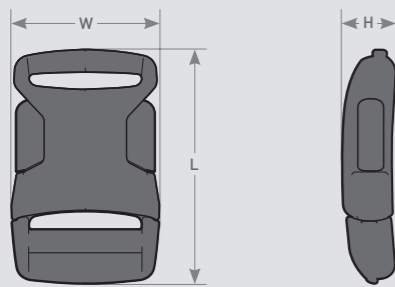
02 NT SR



(100.00mm/min, T Peck, kg, Average)

Size(mm)	Length	Width	Height	Strength
20	56.6	25.5	10.3	69.56
25	66.7	33.4	12.6	88.7
38	44.4	74.2	13.5	95.23
50	80	59.5	16.8	127.83

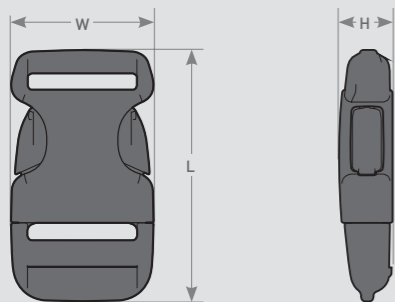
03 CHAMPION



(100.00mm/min, T Peck, kg, Average)

Size(mm)	Length	Width	Height	Strength
15	39	22.4	9.5	59.40
20	42.5	26.9	10.1	56.72
25	52.5	33.4	12.1	81.26
38	63	47.7	13.5	94.7
50	75.8	60.9	16.6	107.5

04 STAG BEETLE

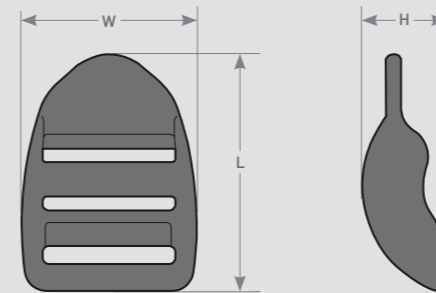


(100.00mm/min, T Peck, kg, Average)

Size(mm)	Length	Width	Height	Strength
20	47.4	25.7	9.9	68.09
25	58.9	33.2	12.3	96.25

STRENGTH DATA

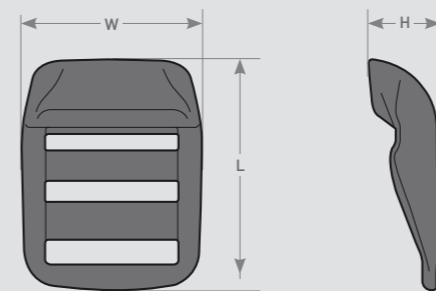
05 CURVED L



(100.00mm/min, T Peck, kg, Average)

Size(mm)	Length	Width	Height	Strength
20	37.6	27.8	13.4	135.42
25	37.1	32.7	13.1	111.4
40	49.4	48.6	14.5	111.13
50	79.4	62.2	25.5	

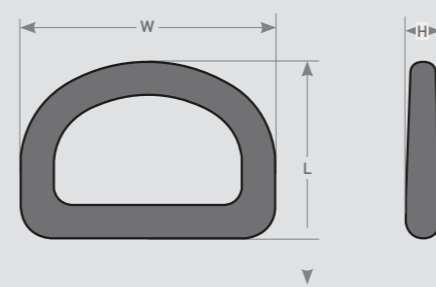
06 MEGA DUCKBILL L



(100.00mm/min, T Peck, kg, Average)

Size(mm)	Length	Width	Height	Strength
25	45.7	35.8	14.3	132.57

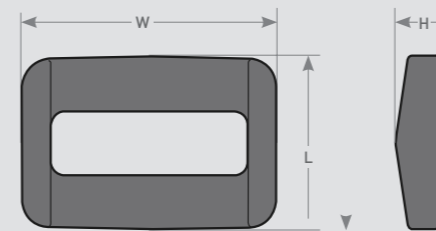
07 D-RING



(100.00mm/min, T Peck, kg, Average)

Size(mm)	Length	Width	Height	Strength
15	18	21.8	3.4	48.69
20	28	31.2	5	79.28
25	33	35	5.2	86.22
30	28.6	41.2	5.6	105.68
38	30.8	52.5	5.8	83.33

08 COMMON LOOP



(100.00mm/min, T Peck, kg, Average)

Size(mm)	Length	Width	Height	Strength
20	18.5	27	6.1	109.25
25	18.3	34.2	6.3	92.93
30	22.8	38.9	7.1	83.9
38	23.1	46.1	6.8	80
40	23.1	48.9	6.4	75
50	24.3	60.1	7.6	91

EcoBTS

01 EcoBTS NT SR



Material : Acetal

Size	Male	Fem
25mm		3406

* Must be assembled with EcoBTS BAR

03 EcoBTS TL



Material : Acetal

Size	
15mm	3394
20mm	3388
25mm	3390
40mm	3392

* Must be assembled with EcoBTS BAR

05 EcoBTS BAR



Material : Acetal

Size	Bar
15mm	3395
20mm	3389
25mm	3391
40mm	3393

02 EcoBTS CHAMPION



Material : Acetal

Size	Male	Fem
15mm		3396
20mm		3397
25mm		3398
40mm		3399

* Must be assembled with EcoBTS BAR

04 EcoBTS SLIPLOK



Material : Acetal

Size	
25mm	3402
40mm	3403

* Must be assembled with EcoBTS BAR

* HOW TO USE



KOMODO

01 KOMODO



Material : Acetal

Size	Male	Fem
25mm	3422	2423
38mm	3420	3421

02 KOMODO WITH CAM



Material : Acetal

Size	Male	Fem
38mm	3420	Unit-432

HEAVY DUTY NT SR

01 QUICK ATTACH HEAVY DUTY NT SR



Material : Acetal

Size	Male	Fem
25mm	3150	3153

02 SINGLE BAR HEAVY DUTY NT SR



Material : Acetal

Size	Male	Fem
25mm	3155	3151

03 HEAVY DUTY NT SR WITH AUTO CAM



Material : Acetal

Size	Male	Fem
25mm	3154	3151

04 HEAVY DUTY DUAL ADJUSTABLE NT SR WITH AUTO CAM



Material : Acetal

Size	Male	Fem
25mm	3154	3152

• QUICK ATTACH HEAVY DUTY NT SR



• HEAVY DUTY NT SR WITH AUTO CAM



HEAVY DUTY NT SR

05 HEAVY DUTY NT SR



Material : Acetal

Size	Male	Fem
20mm	3106	3107
25mm	3150	3151

06 HEAVY DUTY DUAL ADJUSTABLE NT SR



Material : Acetal

Size	Male	Fem
25mm	3150	3152

07 QUICK R/PULLING NT SR



Material : Acetal

Size	Male	Fem
25mm	3156	3151

• QUICK R/PULLING NT SR



08 SAFETY QA H.D NT SR



Material : Acetal

Size	Male	Fem
25mm	3183	3151

09 SAFETY QA H.D NT SR



Material : Acetal

Size	Male	Fem
25mm	3150	3160

10 H.D NT SR AUTO CAM



Material : Acetal

Size	Male	Fem
25mm		3187

NT SR

01 NT SR



Material : Acetal Nylon

Size	Male	Fem	Male	Fem
20mm	5205	5206	5179	5180
25mm	5000	5001	5129	5130
38mm	4494	4507	5295	5296
40mm	5209	5210		

03 MONSTER NT SR



Material : Acetal Nylon

Size	Male	Fem	Male	Fem
50mm	5433	5431	5436	5434

05 QUICK ATTACH NT SR



Material : Acetal

Size	Male	Fem
25mm	5000	5003

07 LANYARD ATTACHMENT SYSTEM



Material : Acetal

Size	Male	Fem
15mm	3006	7365

02 DUAL ADJUSTABLE NT SR



Material : Acetal Nylon

Size	Male	Fem	Male	Fem
20mm	5205	6014		
25mm	5000	5317	5129	8997
38mm	4494	4915	5295	5418

04 DUAL ADJUSTABLE MONSTER NT SR



Material : Acetal Nylon

Size	Male	Fem	Male	Fem
50mm	5433	5432	5436	5435

06 NT SR POUCH CLIP



Material : Acetal

Size	Male	Fem	Plate
20mm	5205	6050	6051
25mm	5000	5707	5709

08 LANYARD ATTACHMENT SYSTEM



Material : Acetal

Size	Male	Fem
15mm	7603	7365

STAG BEETLE

01 STAG BEETLE



Material : Acetal

Size	Male	Fem
20mm	W088	W089
25mm	W091	W092

02 DUAL ADJUSTABLE STAG BEETLE



Material : Acetal

Size	Male	Fem
20mm	W088	W090
25mm	W091	W094

03 QUICK ATTACH STAG BEETLE



Material : Acetal

Size	Male	Fem
25mm	W091	W093

• QUICK ATTACH STAG BEETLE



04 STAG BEETLE WITH WHISTLE



Material : Acetal

Size	Male	Fem
20mm	W087	W089
Whistle	W081-set	-

• STAG BEETLE WITH WHISTLE



CHAMPION

01 CHAMPION



Material : Acetal

Size	Male	Fem
15mm	W517	W544
20mm	W546	W547
25mm	W550	W551
30mm	W581	W584
38mm	W554	W555
50mm	W557	W558

• CHAMPION



02 DUAL ADJUSTABLE CHAMPION



Material : Acetal

Size	Male	Fem
15mm	W517	W511
20mm	W546	W548
25mm	W550	W552
30mm	W581	W586
38mm	W554	W556
50mm	W557	W559

• DUAL ADJUSTABLE CHAMPION



03 SINGLE BAR CHAMPION



Material : Acetal

Size	Male	Fem
15mm	W516	W544
20mm	W522	W547
25mm	W524	W551
38mm	W578	W555

04 QUICK ATTACH CHAMPION



Material : Acetal

Size	Male	Fem
20mm	W546	W545
25mm	W550	W553

05 CHAMPION WITH WHISTLE



Material : Acetal

Size	Male	Fem
15mm	W514	W544
20mm	W515	W547
Whistle	W081-set	-

ALTO

01 ALTO



Material : Acetal

Size	Male	Fem
15mm	W517	W560
20mm	W546	W539
25mm	W550	W540

02 DUAL ADJUSTABLE ALTO



Material : Acetal

Size	Male	Fem
15mm	W517	W512
20mm	W546	W564
25mm	W550	W565
38mm	W554	W566

03 ALTO POUCH



Material : Acetal

Size	Male	Fem	Plate
15mm	W517	W569	W538

04 ALTO WITH WHISTLE



Material : Acetal

Size	Male	Fem
15mm	W514	W560
20mm	W515	W539
Whistle	W081-set	

• ALTO



STEALTH

01 STEALTH



Material : Acetal Nylon

Size	Male	Fem	Male	Fem
20mm	6403	6404	5616	5617
25mm	6358	6359	5614	5615
30mm	W101	W102	W123	W124

02 DUAL ADJUST STEALTH



Material : Acetal Nylon

Size	Male	Fem	Male	Fem
20mm	6403	W114	5616	W120
25mm	6358	6410	5614	W125
30mm	W101	W140		

03 MONSTER STEALTH



Material : Acetal Nylon

Size	Male	Fem	Male	Fem
38mm	6581	6582	6584	6585
40mm	8990	8991	8990-NY	8991-NY
50mm	6405	6483	5618	6513

04 DUAL MONSTER STEALTH



Material : Acetal Nylon

Size	Male	Fem	Male	Fem
38mm	6581	6583	6584	6586
40mm	8990	7895	8990-NY	7895-NY
50mm	6405	6406	5618	5619
60mm	W126	W127		

• STEALTH



• DUAL ADJUSTABLE STEALTH



STEALTH

05 ANTI BREAK MALE



Material : Acetal/Nylon

Size	Male	Female
20mm	W104	W103
25mm	7005	7006
38mm	W106	W105
40mm	7009	7009-NY
50mm	7007	7008

06 HIP BELT SINGLE BAR STEALTH



Material : Acetal Nylon

Size	Male	Female	Male	Female
25mm	W110	W111	W121	W122
38mm	7698	7699	W112	W113

07 SINGLE BAR STEALTH



Material : Acetal

Size	Male
25mm	6812

08 QUICK ATTACH STEALTH



Material : Acetal

Size	Male	Female
25mm	6358	6411

09 NEW Q.A. STEALTH



Material : Acetal

Size	Female
25mm	6413

10 STEALTH POUCH BUCKLE



Material : Acetal

Size	Male	Female	Plate
25mm	6358	7639	7640

Z

01 Z BUCKLE



Material : Acetal

Size	Male	Female
10mm	3247	3248
15mm	3250	3251
20mm	3253	3254
25mm	3257	3258
38mm	3261	3262

• Z BUCKLE



Z

02 DUAL Z BUCKLE



Material : Acetal

Size	Male	Female
15mm	3250	3249
20mm	3253	3255
25mm	3257	3259
38mm	3261	3263

03 SINGLE BAR Z BUCKLE



Material : Acetal

Size	Male	Female
15mm	3279	3251
20mm	3252	3254
25mm	3256	3258
38mm	3260	3262

04 Z POUCH



Material : Acetal

Size	Male	Female	Plate
15mm	3250	3300	3301
5mm*2	3245	3300	3301

05 Z BUCKLE WITH CAM



Material : Acetal

Size	Male	Female
20mm	3277	3254

EASY

01 EASY



Material : Acetal

Size	Male	Female
15mm	W976	W977
20mm	W980	W981
25mm	W986	W987
38mm	W990	W991

02 DUAL ADJUSTABLE EASY



Material : Acetal

Size	Male	Female
20mm	W980	W983
25mm	W986	W988
38mm	W990	W992

03 EASY WITH CAM



Material : Acetal

Size	Male	Female
15mm	W975	W977
20mm	W979	W981
25mm	W985	W987

04 SINGLE BAR EASY



Material : Acetal

Size	Male	Female
20mm	W978	W981

05 EASY WITH DUAL CAM



Material : Acetal

Size	Male	Female
25mm	W985	W989

PICCO

01 PICCO



Material : Acetal

Size	Male	Fem
15mm	3208	3209
20mm	3210	3211
25mm	3213	3214
38mm	3217	3219

02 DUAL ADJUSTABLE PICCO



Material : Acetal

Size	Male	Fem
15mm	3208	3204
20mm	3210	3212
25mm	3213	3215
38mm	3217	3218

03 SINGLE BAR PICCO



Material : Acetal

Size	Male	Fem
38mm	3216	3219

DOUBLELOK CHAMP

01 DOUBLELOK CHAMP



Material : Acetal

Size	Male	Fem
38mm	W590	W591

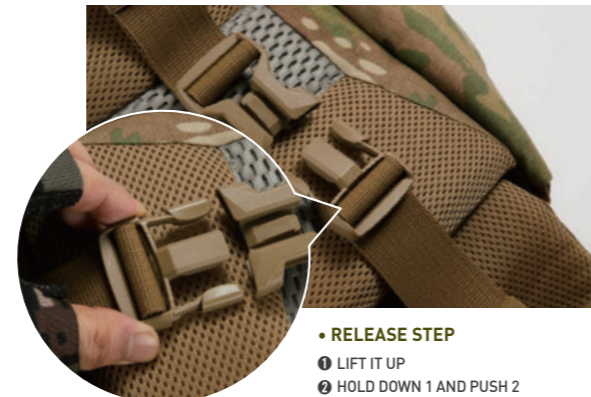
02 DUAL ADJUSTABLE DOUBLELOK CHAMP



Material : Acetal

Size	Male	Fem
25mm	W580	W582
38mm	W590	W592
50mm	W585	W587

• DUAL ADJUSTABLE DOUBLELOK CHAMP



- RELEASE STEP
- ① LIFT IT UP
- ② HOLD DOWN 1 AND PUSH 2

• SAFETY QA CHAMPION



Material : Acetal

Size	Male	Fem
25mm	W541	W551

02 SAFETY QA CHAMPION (F)



Material : Acetal

Size	Fem
25mm	3185

03 SAFETY QA LOCK



Material : Acetal

Size	
25mm	5702

• SAFETY QA LOCK



- RELEASE STEP
- ① PUSH IN FIRST
- ② PULL IT UP

04 SAFETY QA LOOP



Material : Acetal

Size	
25mm	5715

• SAFETY QA LOOP



05 SAFETY QA KEEPER



Material : Acetal

Size	
25/25mm	5703
38/38mm	Unit-353

MOLLE MOUNT

01 MOLLE 4WAY CHAMP



Material : Acetal

Size	Male	Fem
25mm	W550	W543

02 MOLLE CHAMPION CLIP



Material : Acetal

Size	Male	Fem
25mm	W550	3157

03 MOLLE QA NT SR



Material : Acetal

Size	Male	Fem
25mm	3150	3159



• MOLLE 4WAY CHAMP



• MOLLE CHAMPION CLIP



MOLLE MOUNT

04 MOLLE LOCKING CLIP



Material : Acetal

Size	
3"	5712
4"	5716
5"	5710
6"	5711
8"	5713

05 MOLLE ALU HOOK



Material : Aluminium

Size	
25mm	L0070

06 MOLLE WEBBING CLIP



Material : Acetal

Size	
15mm	W542

07 PLASTIC CARABINER



Material : Acetal

Size	
25mm	3158

• MOLLE LOCKING CLIP



- RELEASE STEP
- ① PULL HARD FOR RELEASE

• MOLLE ALU HOOK



• PLASTIC CARABINER



CATCHER

01 UNIVERSE CATCHER SLOT



Material : Acetal

Size	Male	Fem
25mm	3190	3191
40mm	3194	3195
40mmX2	3198	3199

02 UNIVERSE CATCHER



Material : Acetal

Size	Male	Fem
25mm	3188	3189
40mm	3192	3193
40mmX2	3196	3197

ADJ. UNIVERSE CATCHER

Size	Male	Fem
25mm		3200

* can be assembled with Hatchet Puller[#3042]

03 QR VEST CATCHER



Material : Acetal

Size	Left		Right	
	Male	Fem	Male	Fem
40mm	3171	3172	3169	3170
40mmX2	3163	3164	3161	3162

04 QR VEST CATCHER



Material : Acetal

Size	Left		Right	
	Male	Fem	Male	Fem
25mmx3	3167	3174	3165	3173
50mmX2(F)	3167	3168	3165	3166

R / LOCKSTER

01 R / LOCKSTER



Material : Acetal

Size	Male	Fem
20mm	7315	7316
25mm	7145	7146
38mm	7606	7607

03 SINGLE BAR R / LOCKSTER



Material : Acetal

Size	Male	Fem
25mm	7610	7146
38mm	7609	7607

05 HIP BELT R / LOCKSTER



Material : Acetal

Size	Male	Fem
38mm	W128	W129

07 EASY ACCESS R / LOCKSTER



Material : Acetal

Size	Male	Fem
20mm	7315	W108

09 EASY ACCESS R / LOCKSTER POUCH



Material : Acetal

Size	Male	Fem	Plate
20/10mm	W291		
20mm	7315	W242	8719

02 DUAL R / LOCKSTER



Material : Acetal

Size	Male	Fem
20mm	7315	7604
25mm	7145	7605
38mm	7606	7608
50mm	7611	7612

04 R / LOCKSTER POUCH



Material : Acetal

Size	Male	Fem	Plate
20mm	7315	8718	8719
25mm	7145	8720	8721

06 QUICK ATTACH R / LOCKSTER



Material : Acetal

Size	Male	Fem
25mm	7145	7877

08 DUAL EASY ACCESS R / LOCKSTER



Material : Acetal

Size	Male	Fem
20mm	7315	7457

10 POUCH R / LOCKSTER CAM



Material : Acetal

Size	Male	Fem	Plate
20mm	W155	W156	8719

01 SECURELOCK CHAMP



Material : Acetal

Size	Male	Fem
25mm	W588	W589

• SECURELOCK CHAMP



• RELEASE STEP

- ① PUSH 2
- ② HOLD DOWN 2 AND PUSH 1

02 SINGLE SECURELOCK CHAMP



Material : Acetal

Size	Male	Fem
38mm	3400	3401

03 COPLOK



Material : Acetal

Size	Male	Fem
50mm	8410	8472

04 DUAL COPLOK



Material : Acetal

Size	Male	Fem
50mm	8410	8411

05 QUICK RELEASE CLIP



Material : P.P Webbing / Acetal

• Sewable Base	W932
• Female 25mm	W933
• Male 10mm	W934

06 QUICK RELEASE WEBBING LIP (WEB BASE)



Material : P.P Webbing / Acetal

• Sewable Base	W935
• Female 25mm	W933
• Male 10mm	W934

• QUICK RELEASE CLIP



07 COMBI PULL QR BUCKLE



Material : Acetal

Size	
• Base 25mm	3176
• Female 25mm	3177
• Male 15mm	3178

• COMBI PULL QR BUCKLE



08 LOOP WITH TRACK(M)



Material : Acetal

Size	
40mm	3224

• LOOP WITH TRACK



09 LOOP WITH TRACK(F)



Material : Acetal

Size	
40mm	3226

• LOOP TRACK-NEMO LOCK



10 SEWABLE TRACK (M)



Material : Acetal

Size	
25mm	3225
40mm	3228

• SEWABLE TRACK WITH LOOP



11 NEMO LOCK WITH TRACK(F)



Material : Acetal

Size	
25mm	3227
40mm	3229

• SEWABLE TRACK WITH NEMO LOCK



SPECIALTY

12 QUICK ATTACH WEB ROLLER



Material : Acetal

Size	
25mm	W660

13 STRING BUCKLE



Material : Nylon

Size	
25mm	3175

14 BUMPER



Material : TPE

Size	
20mm	1202
38mm	1205

15 CURVED WHISTLE



Material : Acetal

Size	
	W086

16 WEB BUTTON



Material : TPE

Size	
10mm	2067

• QUICK ATTACH WEB ROLLER



• STRING BUCKLE



• BUMPER



17 4HOLE BUTTON



Material : TPE

Size	
2.5mm	2068

SPECIALTY

18 MULTI STRAP



Material : TPU/Aluminum

Size	
10"	3996
12"	3997
16"	3998

*can be used #4019 Multi Strap Keeper to organize the ends of straps.

20 TINY STRAP



Material : Acetal/TPU

Size	
6"	3995-set
8"	3994-set
10"	3993-set

*can be used #4018 Tiny Strap Keeper to organize the ends of straps.

22 SHOVEL STRAP



Material : TPU/Aluminum

Size	
small 40cm	W650
large 50cm	W651

24 DD RATCH



Material : Acetal

Size	Male	Fem
25mm	1224	1225
38mm	Unit-153	Unit-154

19 MULTI STRAP PLASTIC KEEPER



Material : Acetal

Size	
19mm	4019

*with Multi Strap

21 TINY STRAP PLASTIC KEEPER



Material : Acetal

Size	
13mm	4018

*with Tiny Strap

23 SLIDE CLIP



Material : Acetal

Size	Male	Fem
20mm	3180(8cm)	3179
20mm	3181(10cm)	3179
20mm	3182(12cm)	3179

• DD RATCH



SPECIALTY

25 QUADRO BUCKLE



Material : Acetal

Size	Male	Fem
20mm	1092	1093

• QUADRO BUCKLE



26 BERG BUCKLE



Material : Acetal

Size	Male	Fem
38mm	W131-M	W131-F
50mm	W132-M	W132-F

27 SPEEDY CLIP



Material : Acetal

Size	Base	Lid
20mm	W144	W146

28 DUAL SPEEDY CLIP



Material : Acetal

Size	Base	Lid
25mm	W148	W149

29 SEWABLE SPEEDY CLIP



Material : Acetal Nylon

Size	Base	Lid
25mm	3385	W149

30 SWIVI-LOCK



Material : Nylon Acetal

Size	Male	Fem
25mm	7898	7778
38mm	7900	7760

31 BUDDY POUCH



Material : Nylon

Size	Male	Fem
25mm	6456	6457

32 DUAL HERMA CHAMP



Material : Acetal

Size	Male	Fem
15mm	3408	3408
20mm	W973	W973
25mm	W970	W970

33 SAFETY HERMA CHAMP



Material : Acetal

Size	Male
25mm	W972

SPECIALTY

34 TACTICAL HOOK



Material : Acetal

Size	
25mm	4430
38mm	4431

35 SWIVEL TACTICAL HOOK



Material : Acetal

Size	
25mm	4432
38mm	4433
50mm	4434

36 PF MAGAZINE HOLDER



Material : Acetal

Size	
L	1532
M	1533
S	1534



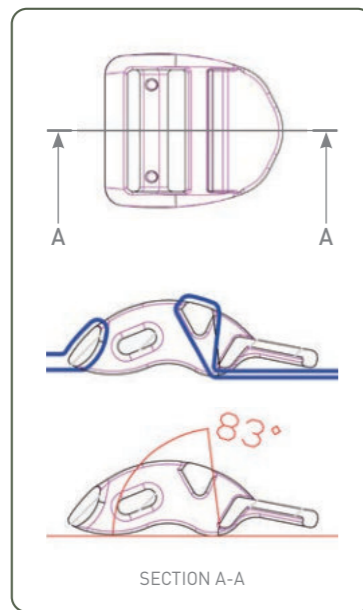
COPYRIGHT 2025 TASMANIAN TIGER ALL RIGHTS RESERVED.

01 STANDARD RELEASE CURVED LOCK



Material : Acetal		Nylon
Size		
20mm	5701	5394
25mm	5700	5393
40mm	5405	5852
50mm	5406	

• STANDARD RELEASE CURVED LOCK

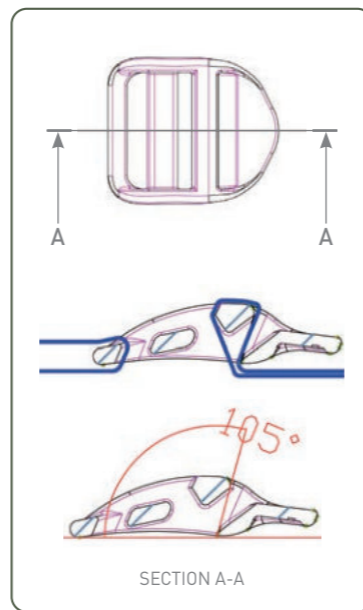


02 HIGH RELEASE CURVED L



Material : Acetal		Nylon
Size		
20mm	5319	5318
25mm	5229	5338

• HIGH RELEASE CURVED L



03 STANDARD RELEASE HEAVY LOCK



Material : Acetal		Nylon
Size		
50mm	W308	W307

04 CURVED L WITH HOLE



Material : Acetal		Nylon
Size		
25mm	5141	5282

05 QUICK ATTACH WITH HOLE



Material : Acetal	
Size	
25mm	W610

06 CURVED CAM LOCK



Material : Acetal	
Size	
20mm	W295
25mm	W296

07 STANDARD LOCK



Material : Acetal		Nylon
Size		
12mm	4925	
15mm	4792	
20mm	5214	5188
25mm	4199	5060

09 MEGA DUCKBILL LOCK TEETH



Material : Acetal	
Size	
25mm	7224

11 DUAL ADJUSTABLE TACKDOWN LOCK



Material : Acetal	
Size	
25mm	4976

13 SPHERALOCK WITH HOLE



Material : Acetal	
Size	
20mm	W567
25mm	W568

15 CONVERT LOCK



Material : Acetal		Nylon
Size		
25mm	5820	5730

08 MEGA DUCKBILL LOCK



Material : Acetal		Nylon
Size		
25mm	6637	7026

10 MEGA DUCKBILL WITH HOLE



Material : Acetal	
Size	
25mm	6638

12 SPHERALOCK



Material : Acetal	
Size	
25mm	2333

14 CURVED DUCKBILL LOCK



Material : Acetal		Nylon
Size		
20mm	7424	7078
25mm	7004	7000

16 Z CAM LOCK



Material : Acetal	
Size	
20mm	3289

WEB LOCK

17 THUMB LOCK



Material : Acetal

Size	
20mm	2056
25mm	1537
38mm	1538

18 CONVERT L WITH HOLE



Material : Acetal / Nylon

Size		
25mm	5821	5821-NY

19 DUCKBILL



Material : Acetal Nylon

Size		
20mm	6973	6423
25mm	6974	6422
25mm	W301 (Strong)	
40mm	7425	7410

20 EVIL EYE LOCK



Material : Acetal

Size	
20mm	7806
25mm	7758
30mm	W303
38mm	W304

21 CHAMP LOCK



Material : Acetal

Size	
20mm	W562
25mm	W563

22 Y LOCK



Material : Acetal

Size	
15mm	W570
20mm	W571
25mm	W572

23 Z- LOCK



Material : Acetal

Size	
15mm	3264
20mm	3265
25mm	3266

24 PICCO LOCK



Material : Acetal

Size	
15/10mm	W500
15mm	W487
20mm	W488
25mm	W489

25 FRAME SLIM LOCK



Material : Acetal

Size	
20mm	0013
25mm	0012
38mm	0014

26 POWER LOCK



Material : Acetal Nylon

Size		
25mm	4955	5280

SINGLE BAR LOCK

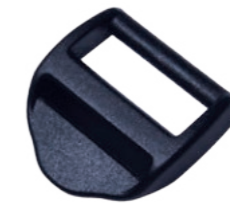
01 SINGLE BAR POWER LOCK



Material : Acetal Nylon

Size		
25mm	7197	5425

02 SINGLE BAR CURVED LOCK



Material : Acetal Nylon

Size		
20mm	W306	W305
25mm	5142	5281

03 SINGLE BAR LOCK



Material : Acetal Nylon

Size		
25mm	7169(AT)	7169(NY)
38mm	7723(AT)	7723(NY)

04 SHORTY SINGLE BAR LOCK



Material : Acetal Nylon

Size		
25mm	6636(AT)	6636(NY)

05 SINGLE BAR NEMO LOCK



Material : Acetal

Size	
38mm	W044

06 SINGLE BAR LION LOCK



Material : Acetal

Size	
20mm	W635
50mm	W634

07 SINGLE Y LOCK



Material : Acetal

Size	
38mm	W583

08 SINGLE E-LOCK



Material : Acetal

Size	
12mm	W574
15mm	W575
20mm	W576
25mm	W577
38mm	W579

WEB ADJUSTER

01 STANDARD SLIPLOK



Material : Acetal		Nylon
Size		
15mm	2310	
20mm	5211	5185
25mm	4129	4676
30mm	5212	5186
38mm	4128	5058
40mm	5213	5187
50mm	4127	5039

02 HEAVY DUTY SLIPLOK



Material : Acetal		Nylon
Size		
25mm	4783	3858
38mm	1039	
50mm	4784	

03 SLEEK SLIPLOK



Material : Acetal		Nylon
Size		
40mm	5997	

04 S-SLIPLOK



Material : Acetal	
Size	
25mm	4013
38mm	4014

05 TQ



Material : Acetal	
Size	
20/20mm	7885
25/20mm	5140
25/25mm	5002

06 OPEN TQ



Material : Acetal	
Size	
20/20mm	6306
25/20mm	W601

07 DTQ



Material : Acetal	
Size	
20/20mm	W602
25/20mm	6042
25/25mm	5971

SMOOTHY®

01 SMOOTHY® LOCK



Material : Acetal	
Size	
15mm	W418
20mm	W419
25mm	W420
30mm	W421
38mm	W422
50mm	W423

02 SMOOTHY® DTQ



Material : Acetal	
Size	
20/20mm	W598
25/20mm	W599

03 SMOOTHY® TQ



Material : Acetal	
Size	
15/15mm	W595
20/20mm	W596
25/20mm	W597

04 SMOOTHY® OPEN TQ



Material : Acetal	
Size	
20/20mm	W593
25/20mm	W594

05 SMOOTHY® HYDEE



Material : Acetal	
Size	
20mm	W395
25mm	W396
38mm	W398

06 SMOOTHY® HYDEE-DOUBLE



Material : Acetal	
Size	
25mm	W394
38mm	W397
50mm	W399

07 SMOOTHY® LOOP



Material : Acetal	
Size	
15mm	W433
20mm	W434
25mm	W435
30mm	W436
38mm	W437
50mm	W438

08 SMOOTHY® OPEN LOOP



Material : Acetal	
Size	
20mm	W440
25mm	W441

09 SMOOTHY® OPEN LOOP II



Material : Acetal	
Size	
20mm	W439



LOOP & RING

01 COMMON LOOP



Material : Acetal

Size	
20mm	5217
25mm	4272
30mm	5218
38mm	4273
40mm	5219
50mm	4581

02 UNILOOP



Material : Acetal

Size	
20mm	5770
25mm	5358
28mm	W703
30mm	1021
38mm	6130
50mm	1024

03 SLOTTED LOOP



Material : Acetal

Size	
15mm	W701
25mm	5660
40mm	6047
50mm	6048
20mm	6046

04 DOUBLE D-RING



Material : Acetal

Size	
20mm	W406
25mm	4781
38mm	W403
50mm	4776

05 HEAVY COOLER D-RING



Material : Acetal

Size	
38mm	5220

06 D-RING



Material : Acetal

Size	
13mm	5488
15mm	W401
20mm	5047
25mm	4274
25mm	W835(Big)
30mm	W408

07 HEAVY DUTY D-RING



Material : Acetal

Size	
20mm	4886
38mm	5221

08 TRIANGLE



Material : Acetal

Size	
20mm	4992
25mm	4697
30mm	5222
38mm	5223

LOOP & RING

09 O-RING



Material : Acetal

Size	
8mm	4892
13mm	1027
16mm	W750
20mm	W751
25mm	W752
39mm	W768(Thin)
50mm	W769(Thin)
57mm	W404



COPYRIGHT 2025 TASMANIAN TIGER ALL RIGHTS RESERVED.

SNAP LOOP & HOOK

01 SUPER PEA RH HOOK



Material : Acetal

Size	
15mm	8890
20mm	8891
25mm	8892
40mm	8893

02 FRAME RH



Material : Acetal

Size	
25mm	5578
38mm	5579
50mm	5580

03 SAFETY PIN HOOK



Material : Acetal

Size	
20mm	8896
25mm	8895
38mm	8894

04 SNAP HOOK LOOP



Material : Acetal Nylon

Size		
25mm	4429	5421
40mm	4428	5190
50mm	4407	5423

05 BEAST DEE



Material : Acetal

Size	
12mm	7585
20mm	7586
25mm	7456
38mm	7587
50mm	7588

06 FEEL SAFE SNAP HOOK



Material : Acetal

Size	
20mm	4402-5224
25mm	4402-4405
38mm	4402-4404

07 STANDARD SNAP HOOK



Material : Acetal

Size	
25mm	1061
30mm	L0048
38mm	1058
50mm	1056

08 NON METALLICA HOOK



Material : Acetal

Size	
20mm	W798
25mm	W802
40mm	7619
50mm	7620

SNAP LOOP & HOOK

09 HANGMAN RH HOOK



Material : Acetal

Size	
20mm	7800
25mm	6013
30mm	W801
38mm	5575
50mm	5577

10 MINI RH HOOK



Material : Acetal

Size	
20mm	6395
25mm	6355

11 SAFE LSH



Material : Acetal

Size	
25mm	4402-5708

12 CURVE SNAP HOOK



Material : Acetal

Size	
25mm	4977-5530
38mm	4977-4979
50mm	4977-4978

13 CURVE L-SNAP HOOK



Material : Acetal

Size	
25mm	4977-5142

METAL HOOK

01 OPEN GATE KEEPER



Material : Acetal

Size	
25mm	W833-II

02 DOUBLE GATE KEEPER



Material : Acetal

Size	
25mm	W836
38mm	W819

METAL HOOK

03 SINGLE GATE KEEPER



Material : Acetal

Size	
25mm	W830
38mm	W831
50mm	W832

05 MINI METALLICA HOOK



Material : Acetal

Size	
20mm	7853
25mm	7854
30mm	7855

07 SMOOTHY METAL HOOK



Material : Acetal

Size	
20mm	W794
25mm	W795
38mm	W796
50mm	W797

09 SWIVEL TRIANGLE METAL HOOK



Material : Acetal

Size	
25/20mm	W188
38/20mm	W190
25/25mm	W183
38/25mm	W189
25/38mm	W187
38/38mm	W184
25/50mm	W186
38/50mm	W185

11 SAFETY QA TRIANGLE HOOK



Material : Acetal

Size	
25mm	5714

04 GATE KEEPER



Material : Acetal

Size	
38/38mm	W810
25/38mm	W815
38/50mm	W811
38/25mm	W816
50/38mm	W812
25/50mm	W817
50/50mm	W813
50/25mm	W818
25/25mm	W814

06 METALLICA HOOK



Material : Acetal

Size	
20mm	W799
25mm	W803
30mm	W804
38mm	6726
50mm	6727

08 S-METAL HOOK



Material : Acetal

Size	
25mm	4010
38mm	W822
50mm	W823

10 TRIANGLE METAL HOOK



Material : Acetal

Size	
25mm	W181
38mm	W182

12 SAFETY QA METALLICA HOOK



Material : Acetal

Size	
25mm	5704
38mm	Unit-352

METAL HOOK

13 H.D GATE KEEPER LOCK



Material : Acetal

Size	Left	Right
20mm	3144	3147
25mm	3145	3149
38mm	3146	3148

14 FMC LONG HOOK



Material : Acetal / Aluminium

Size	Left	Right
15mm	W492	W493
20mm	3850	3851
25mm	W498	W499

15 FMC LONG HOOK CAM



Material : Acetal / Aluminium

Size	Left	Right
20mm	3852	3853

* A puller is not included

16 DOUBLE METAL COMBO HOOK



Material : Acetal / Aluminium

Size	
20mm	W179

17 FRAME SNAP HOOK



Material : Acetal

Size	
25mm	1195
38mm	1194
50mm	1199

• FMC LONG HOOK



LEFT

RIGHT

• FMC LONG HOOK CAM



• DOUBLE METAL COMBO HOOK



METAL COMBI

01 PENTAGON HOOK



Material : Acetal

Size	
15mm	3849

02 BRO GATE KEEPER LOCK



Material : Acetal

Size	
25mm	3186

03 ULTRA ALU RIFLE HOOK



Material : Aluminium

Size	
25mm	L0102
38mm	L0107

*Anodizing : Silver or Black

04 METAL RIFLE HOOK



Material : Steel

Size	
25mm	L0092
38mm	L0106

05 SINGLE ULTRA ALU GATE LOCK



Material : Aluminium

Size	
25mm	L0101

06 SINGLE METAL GATE LOCK



Material : Metal

Size	
25mm	L0100

07 ULTRA ALU GATE LOCK



Material : Aluminium

Size	Left
20mm	L0096
25mm	L0089

08 METAL GATE LOCK



Material : Steel

Size	Left
20mm	L0094
25mm	L0088

09 ULTRA ALU G HOOK



Material : Aluminium

Size	
25mm	L0086

*Metal(L0085) is available

10 ULTRA ALU TENSION HOOK



Material : Aluminium

Size	
10mm	L0078
20mm	L0081

METAL COMBI

11 ULTRA ALU LOOP



Material : Aluminium

Size	
38mm	L0080

12 ULTRA METAL HOOK



Material : Acetal / Aluminium

Size	
20mm	W157
25mm	W159
38mm	W160

13 ULTRA METAL D-RING



Material : Acetal / Aluminium

Size	
38mm	W164

14 ULTRA METAL Z-LOCK



Material : Acetal / Aluminium

Size	
20mm	W166

15 ULTRA METAL Z BUCKLE



Material : Acetal / Aluminium

Size	Male	Fem
20mm	W167	3254
25mm	W163	3258

16 ULTRA METAL SLIPILOK



Material : Acetal / Aluminium

Size	
20mm	W161
38mm	W165

17 BUTTON SYSTEM WITH HOLE



Material : Aluminium / Acetal

Size	etc.	Fem
20mm	W386	W388

18 ADJUSTABLE BUTTON SYSTEM WITH HOLE



Material : Aluminium / Acetal

Size	etc.	Fem
20mm	W386	W389

• ALUMINUM WITH HOLE AVAILABLE



CLIP

01 ADJUST SUSPENDER CLIP



Material : Acetal

Size	Left	Right
20mm	W791	W792

02 SUSPENDER CLIP



Material : Acetal

Size	
20mm	W869
25mm	W837

03 SLIK CLIP



Material : Acetal

Size	
25mm	6548
38mm	W225

04 SIAMESE SLIK CLIP



Material : Acetal

Size	
25mm	6712

05 ADJUST SLIK CLIP



Material : Acetal

Size	
25mm	6713

06 DUAL ADJUSTABLE SPRING CLIP



Material : Acetal

Size	
20mm	W258

07 SPRING CLIP



Material : Acetal

Size	
20mm	W257

08 QUICK ATTACH SPRING CLIP



Material : Acetal

Size	
20mm	W259

09 ALPINE CLIP



Material : Nylon

Size	Male	Fem
	5757	5758

BELT

01 DADDY BUCKLE



Material : Acetal

Size	Male	Fem
20mm	W266	W267
25mm	W273	W274
30mm	W268	W269
38mm	W275	W276

• DADDY BUCKLE



- RELEASE STEP
- 1 PRESS DOWN

02 BREAK AWAY DADDY BUCKLE



Material : Acetal

Size		
20mm	W266	W369
25mm	W273	W370
38mm	W275	W371

* Zip Clip is not included

• BREAK AWAY DADDY BUCKLE



- RELEASE STEP
- 1 PULL IT UP

03 BELT BUCKLE



Material : Acetal

Size	
30mm	6385

04 CONCEPT BELT



Material : Acetal

Size	
25mm	W248
32mm	W249

05 FLAT CLIP



Material : Acetal

Size	Male	Fem
25mm	W174	W175

06 HYDRODYNAMIC CLIP



Material : Acetal

Size	Male	Fem
20mm	W172	W173
25mm	7180	7181
30mm	W170	W171

CAM

01 FIX LOCK



Material : Nylon

Size	
50mm	1220 (Thin Webbing)
50mm	1221 (Thick Webbing)

02 JAM LEVER



Material : Acetal

Size	
20mm	4532
25mm	4535

03 LOW WEBBING CAM



Material : Acetal

Size	
15mm	W475
20mm	W476

• LOW WEBBING CAM



04 NEW FIX LOCK



Material : Acetal

Size	
20mm	1006
25mm	1007

05 SHOTI CAM



Material : Acetal

Size	
38mm	1353
50mm	W952

06 AUTO SPRING CAM



Material : Acetal

Size	
15mm	W667
20mm	W668
25mm	W670
38mm	W672

• AUTO SPRING CAM



WEB KEEPER

01 MAGIC STRAP KEEPER



Material : Elastomeric / Acetal

Size	
15mm	W429
20mm	W431
25mm	W432
38mm	W442

• MAGIC STRAP KEEPER



02 STRAP KEEPER



Material : Acetal

Size	
20mm	5777
25mm	5553
38mm	5554

03 WEB KEEPER



Material : Elastomeric / Acetal

Size	
10mm	5552-Soft
15mm	5555-Soft
20mm	5556-Soft
25mm	5557-Soft
38mm	5558-Stiff

04 QS SLIM KEEPER



Material : Acetal

Size	
15mm	5547
20mm	5548
25mm	5549
38mm	5551

05 QUICK SLIP KEEPER



Material : Acetal

Size	
20mm	5321
25mm	5139
30mm	W430
40mm	5322
50mm	5320

06 CURVED WEB ENDS



Material : Elastomeric

Size	
20mm	W649
25mm	W655
30mm	W659
38mm	W656

07 ELASTOMER TIP ENDS



Material : Elastomeric

Size	
10mm	W654
20mm	7747
25mm	7748
38mm	7749

HYDRATION

01 HYDRATION TUBE HOLDER



Material : Acetal

Size	
20mm	6053
25mm	W603

02 HYDRATION TUBE CLIP



Material : Acetal

Clip	Base
7301	7324

03 MAGNET WEBBING CLIP



Material : Acetal

Size	
20mm	W600

04 MAGNET TUBE CLIP



Material : Acetal

W608

STERNUM SYSTEM

01 ETRO CLIP



Material : Acetal

Size	
20mm	W211

02 CHEST CLIP



Material : Acetal

Size	
25mm	W210

03 ETRO CHAMPION CLIP



Material : Acetal

Size	
15mm	W245
20mm	W216

04 PIPING CLIP



Material : Acetal

Size	
20mm	W214
25mm	W215

HELMET

01 LION HELMET BUCKLE



Material : Acetal

Size	Male	Fem
15mm	W638	W639

02 HELMET DIVIDER



Material : Acetal

Size	
15mm	W491

03 ERGO LOCK BUCKLE



Material : Acetal

Size	Male	Fem
15mm	6842	7041

04 CONTINENTAL DIVIDER



Material : Nylon

Size	
15mm	6000

GLOVE HOOK

01 H-V HOOK



Material : Acetal

• Hook+Ring	1055
• Ring	1055R
• Hook	1055H

02 S GORI



Material : Acetal

	2165
• Ring	1198

03 GLOVE HOOK



Material : Acetal

	4891
• Ring	4892

04 GLOVE HOOK II



Material : Acetal

	4890
• Ring	4892

05 NEMO GLOVE HOOK

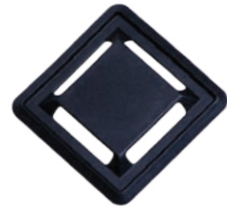


Material : Acetal

	4893
• Ring	4892

LASH TAB

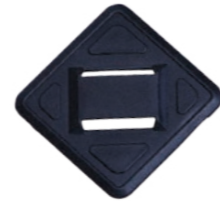
01 SQUARE LASH TAB (4 SLOT)



Material : Elastomeric

Size	
25mm	2110

02 SQUARE LASH TAB (2 SLOT)



Material : Elastomeric

Size	
20mm	4791
25mm	4790

03 EASY ACCESS LASH TAB



Material : Elastomeric

Size	
25mm	5771

04 SEWABLE END TAB



Material : Elastomeric

Size	
25mm	5773

HANDLE

01 ANGLE BRACKET HANDLE



Material : Elastomeric

Size	
25mm	W011

02 FLAT HANDLE



Material : Elastomeric

Size	
20mm	W006
25mm	W004

03 HANDLE



Material : Elastomeric

Size	
25mm	3004

04 HANDLE



Material : Elastomeric

Size	
25mm	3003

TENT

01 TENT HOOK



Material : Acetal

Size	
8.5mm	L0026
9.5mm	L0027
11.5mm	L0028
12.7mm	L0029
15.8mm	L0030
17.5mm	L0031
22mm	L0032
25mm	L0033

02 LITE TENT HOOK



Material : Acetal

Size	
8mm	2504
9.5mm	2505
11.5mm	2506
13mm	2509
14.5mm	2510
17mm	2513
22mm	2511

*with 15mm Loop

03 TENSION TENT HOOK



Material : Acetal

Size	
8.5mm	W915
9mm	W916

*with 14mm loop

04 LITE TENT HOOK (10MM)



Material : Acetal

Size	
7.5mm	2516
8mm	2507
9.5mm	2508

*with 10mm loop

05 BABY CLIP



Material : Acetal

Size	
13mm	4443

06 BABY CLIP (II)



Material : Acetal

Size	
17mm	4444

07 MOTHER CLIP



Material : Acetal

4600

08 TENT CLIP



Material : Acetal

Size	
15mm	4004

TENT

09 SUPER MOUSTACHE TOGGLE



Material : Acetal

Size	
3mm	4016

10 SUB TOGGLE(2 HOLE)



Material : Acetal

Size	
3mm	4003

11 SQUARE TOGGLE



Material : Acetal

Size	
14mm	1077

12 TOGGLE



Material : Acetal

1075

13 BOAT TOGGLE



Material : Acetal

Size	
25mm	4002

14 GRIP TOGGLE



Material : Acetal

Size	
15mm	4005
20mm	4006
25mm	4007

15 SLIM TOGGLE



Material : Acetal

Size	
10mm	4001

16 3 HOLE STOPPER



Material : Acetal

1074

17 CLOSING BONE (LARGE)



Material : Acetal

Size	
15mm	1086

18 CLOSING BONE



Material : Acetal

Size	
10mm	W809

TENT

19 STORM LINE ADJUSTER



Material : Acetal

Size	
1.0~1.5mm	2515
2.5~3mm	2498

20 TENT POLE SHOE



Material : Acetal

Size	
9~10mm	2503
14.5mm	2514

OTHERS

01 HIP BELT STRAP DIVIDER



Material : Acetal

Size	
50mm	5529
75mm	W901

02 WEBBING ROLLER



Material : Acetal

Size	
20mm	W657

03 AIRVENT EYELET



Material : Acetal

Size	Male	Fem
	W851	W852

04 BOTTOM STUD



Material : Elastomeric

Size	
Small	1196
Large	1197



COPYRIGHT 2025 TASMANIAN TIGER ALL RIGHTS RESERVED.

CORD END

01 STOPPER



Material : Elastomeric

Size	
3mm	1406

02 STOPPER(LONG)



Material : Elastomeric

Size	
3mm	1407

03 BELL STOPPER



Material : Acetal

Size	Male	Fem
	2113	2114

04 BELL END WITH CAP



Material : Nylon

Size	
	2115

05 MOTHER HOOK



Material : Acetal

Size	Male	Fem
	1321-M	1321-F

06 ZIP CLIP HOOK



Material : Acetal

Size	Male	Fem
3mm	6452	5938

07 GROOVY ZIP PULL



Material : Acetal

Size	
2.3mm	W030
3mm	6967

08 POSI GRIP ZIP PULL



Material : Acetal

Size	
3mm	6884

09 MB ZIP CLIP



Material : Nylon

Size	
3mm	3009

10 COCO ZIP CLIP



Material : Nylon

Size	
2mm	W344
3mm	W345

11 STREAMLINE CORD END



Material : Elastomeric

Size	
3.0mm	W139
3.5mm	W137

CORD LOCK

01 2 HOLE FLAT STOPPER



Material : Acetal

Size	
1.8~2.2mm	1410

02 YODA STOPPER



Material : Acetal

Size	
1 Cord	1052
2 Cord	1053

03 SQUEEZE STOPPER (GRANDE)



Material : Acetal

Size	
2.5~3.5mm	1209

04 4 HOLE C-L



Material : Nylon

Size	
2~4mm	1094

05 SQUEEZE HOOK (STRONG)



Material : Acetal

Size	
2.5~3.5	W443

06 DOUBLE SQUEEZE STOPPER (II)



Material : Acetal

Size	
Double(2~3mm)	W450

07 H-I C-L



Material : Acetal

Size		
1.6~3mm	S	W424
2~3mm	M	W449
2~3.5mm	L	2331

08 H-I C-L WITH HANDLE



Material : Acetal

Size	
2~3mm M	1836
2~3.5mm L	L0024 Black only

09 FRAME CP C-L(1BAR)



Material : Acetal

Size	
Large(3~4mm)	1063

10 FRAME CP C-L



Material : Acetal

Size	
Small(1~2.5mm)	W470
Large(3~4mm)	1062

CORD LOCK

11 UFO C-L



Material : Acetal

Size	
1.5~3mm	L 2154

12 CAMERA C-L



Material : Acetal

Size	
2~3mm	2332

13 TRIANGLE C-L



Material : Acetal

Size	
2~3.5mm	W480

14 COMMA C-L



Material : Acetal

Size	
2~3.5mm	2330

15 2 WAY PUSH C-L



Material : Acetal

Size	
Small	1051

16 STRONG HI ELLIPSE C-L



Material : Acetal

Size	
3~3.5mm	1837

17 ELLIPSE C-L



Material : Acetal

Size	
2~3mm	1833

18 HI ELLIPSE C-L



Material : Acetal

Size	
2~3mm	1834

19 2 HOLE SMALL C-L



Material : Acetal

Size	
1.8~3mm	W465

20 FN C-L



Material : Acetal

Size	
2~2.5mm	W951

21 OVAL C-L



Material : Acetal

Size	
2~4mm(1Cord)	4759

22 C-L (I)



Material : Acetal

Size	
2.5~3.5mm	1065

CORD LOCK

23 COFFEE CUP



Material : Acetal

Size	
2~2.5mm	6741

24 MUG CUP



Material : Nylon

Size	
2~3.5mm	6932

25 EURO C-L



Material : Acetal

Size	
2~3.5mm	7916

26 EURO C-L WITH LOOP



Material : Acetal

Size	
2~3.5mm	7621

27 POSI-GRIP C-L



Material : Acetal

Size		
3/16"	Two cords	4240
3/16"	One cord	4975

CORD LORD

01 CORD LORD



Material : Acetal

Size	Male	Fem
3.17~4.76mm	7293	7294

02 CORD LORD LOOP



Material : Acetal

Size	Male	Fem
	7293	W885

03 MINI CORD LORD



Material : Acetal

Size	Male	Fem
3mm	W886	W887

04 RING PULL CORD CINCHER



Material : Acetal Nylon

Size	Male	Fem
2~3.5mm	6854	6853

CORD RING

01 4mm RING STOPPER



Material : Acetal
1403

02 3mm RING BEAD



Material : Acetal
Size Male Fem
3mm 1404

03 SOFT BEAD



Material : Elastomeric
W940

04 MINI SOFT BEAD



Material : Elastomeric
W939

05 ID PULL TAB



Material : Elastomeric
J050

06 EASY GRIP CORD END



Material : Elastomeric
W941

ZIP CLIP

01 TACTICAL MB ZIP CLIP



Material : Nylon
Size Male Fem
3.5-4mm 5932

02 MEGA ZIP CLIP



Material : Acetal
Size Male Fem
~5.5mm 5933 5934

03 T SHAPE ZIP CLIP



Material : Acetal
Size Male Fem
~2.5mm 5936 5935

04 U SHAPE ZIP CLIP



Material : Acetal
Size Male Fem
2.5-3mm W372 W373

ZIP CLIP

05 MINI U ZIP CLIP



Material : Acetal
Size Male Fem
~2.5mm W374 W375

06 Y ZIP CLIP



Material : Acetal
Size Male Fem
2.5-3mm W348 W349

07 SINGLE TINY CLIP



Material : Acetal
Size Male Fem
2.5mm~ W358 W359
3.5mm~ W366 W367

08 SR ZIP CLIP



Material : Acetal
Size Male Fem
2.2-2.5mm W342 W343

09 ZIP CLIP



Material : Acetal
Size Male Fem
2.5-3mm 5939 5938

10 ZIP CLIP (ROUND)



Material : Acetal
Size Male Fem
2.5-3mm 6150 6151

PULLER

01 MAG POUCH PULLER



Material : Elastomeric
3184

02 HATCHET PULLER



Material : Elastomeric
Size Male Fem
2-2.5mm 3042

PULLER

03 U PULLER



Material : Elastomeric

W012

04 SMALL U PULLER



Material : Elastomeric

J031

05 2COLOR U PULLER



Material : Elastomeric

J023

06 1COLOR U PULLER



Material : Elastomeric

J023-1tone

07 TOGGLE PULLER



Material : Elastomeric

J075

08 SWING PULLER



Material : Elastomeric

J084

09 CATERPILLAR PULLER



Material : Elastomeric

J085

10 MINI NON PULLER



Material : Elastomeric

W026

11 NON SKIED PULLER



Material : Elastomeric

W009

12 1mm MICRO PULLER



Material : Elastomeric

J091

WJ[®]
WOOJIN PLASTIC
2026